



C01 Flashing Solar Light Installation Instructions

Read and follow all instructions before operating your solar light. Save this instruction sheet for future reference.

1. LIST OF PARTS CONTAINED FOR EACH LIGHT

1. Light head fixture, and yellow base - 2 pieces
2. Stainless steel support and connector - 1 piece
3. Nickel Metal Hydride (NI-MH) 1.2 V Battery

2. FUNCTION CHECK

1. Place the battery into the yellow base with the bare, flat end of the battery facing down.
2. Set the light where it can be exposed to the sun.
3. To test, put the light in dark place, cover the top with your hand, or wait until it gets dark. Light come on, and operate as a steady-burn red light automatically.

3. INSTALLATION

Solar lights can be used anywhere it is dangerous for people to access when it is dark; such as construction sites, or other hazards. The light should be installed in a sunny location. Any cover, shade or shadowing will affect the solar light panel's ability to absorb sunlight and its function will be decreased.

The selected location should not be near a nighttime light source such as a porch light or street light, as these might keep the solar light from automatically turning on.

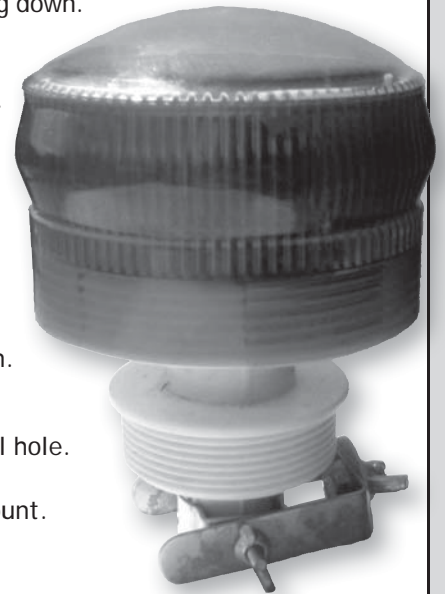
The light can be installed in the following steps:

If using with the AR10x96 airport barricade, simply screw light into the threaded fill hole.

If necessary, insert the light mount into the stainless steel support.

1. Let the screw pass through the stainless steel connector, support and light mount.
2. Screw down the two butterfly nuts.
3. Mount the lights with provided screw and butterfly nut.

Notes: Be careful not to scratch the solar panel during installation.



To screw and unscrew light from barricade fitting, grasp and twist light by its yellow base (to avoid unscrewing the red light portion).



4. TROUBLESHOOTING INFORMATION

The performance of the solar powered light depends upon the amount of sunlight available during the daylight hours. If your solar light is not operating properly, you can check your solar light and troubleshoot the problem as listed below.

1. Dim light

- a. *Batteries are not fully charged or need replacement.* Call OTW Safety at 801-363-7740 to order new batteries.
- b. *Allow sunlight to recharge the battery for a full sunny day.* If the weather has been rainy or overcast during the day, the battery will not be fully charged for operation at night. This is normal. The solar light must have direct sunlight every day to fully charge the battery. If the solar light does not receive enough sunlight one day, it will recharge the next sunny day and resume normal operation.

Check for obstructions to solar collector panel: over-hanging branches, shade from bushes, trees, fences, or building and the like. Relocate the light to a sunnier location.
Other contributors: Dirty lens of the solar panel. A dirty lens will not allow the battery to fully charge. This will shorten the life of the battery and cause the light to

malfunction. Clear it regularly with a dampened cloth or paper towel.

After correcting the problem, check the light operation immediately after dark or in a dark room. If the battery will only operate for a short time, the battery needs recharging.

2. Light out

- a. *Check for an external light source:* street light, porch light, or flood light which may be preventing solar light from automatically turning on at night.
- b. *Rechargeable battery needs recharging.*
- c. *Old battery may wear out and not accept charge.* Replace with new battery of same kind and size. Call Off the Wall Products at 801-363-7740 to order new batteries.

Notes: Please recycle old batteries.

5. BATTERY CHANGING

1. Screw out the mount of the light, take out the old battery.
2. Place new battery of the same kind and size and remount.

6. GENERAL

The light can be used through the year, but in very cold weather (14°F / -10°C or below) it is advised that you bring the light indoors. The cold may adversely affect the lights performance and the durability of the battery.

These lights utilize LED (Light Emitting Diode) technology. There are no bulbs to replace.